

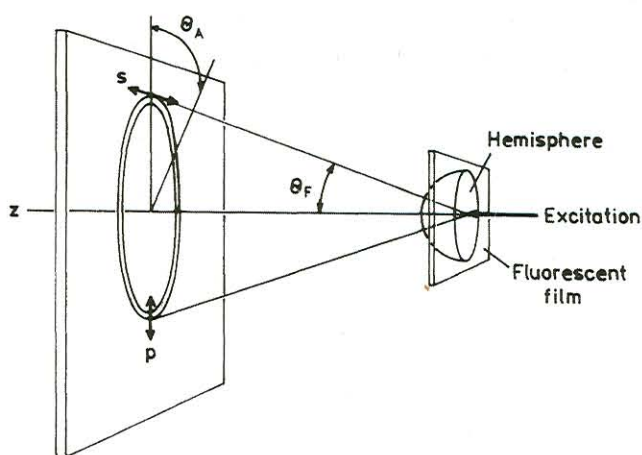
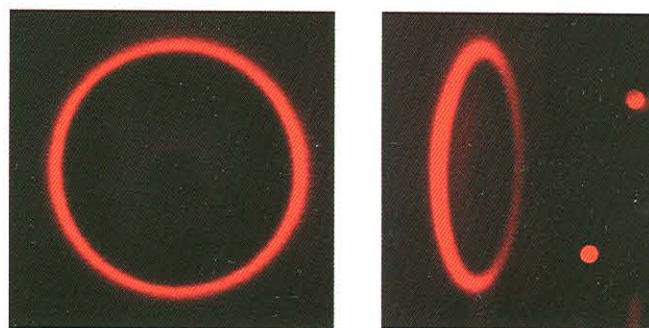
JANUARY 2004
Volume 14 Issue 1
Pages 1—124

Journal of FLUORESCENCE

Photograph -
Directional Surface
Plasmon Coupled
Emission

The Journal is making
good progress,
see page 3

8th MAFS
conference papers



CHRIS D. GEDDES, Ph.D.
EDITOR-IN-CHIEF

<http://www.wkap.nl/journalhome.htm/1053-0509>
ISSN 1053-0509

 KLUWER ACADEMIC / PLENUM PUBLISHERS